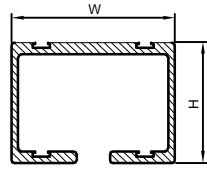
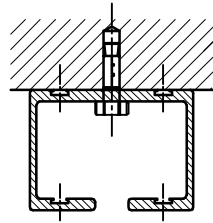


# CEILING TRACK AND SOME EXAMPLES OF TRACK FIXINGS - TYPE 80ME

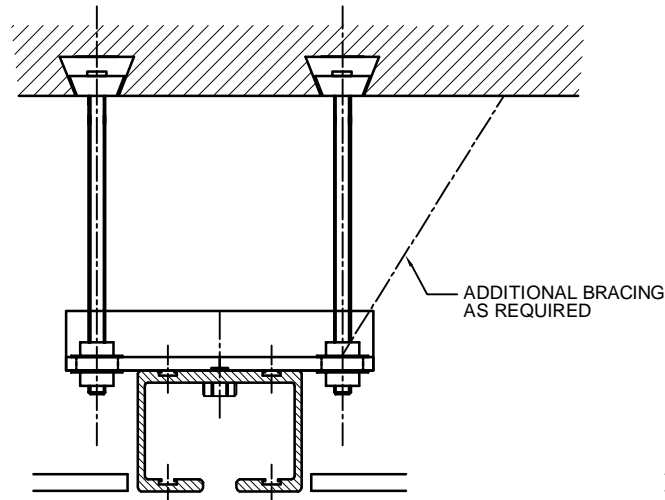
TYPE	H	W	MATERIAL
XXX	72	98	ALUMINIUM



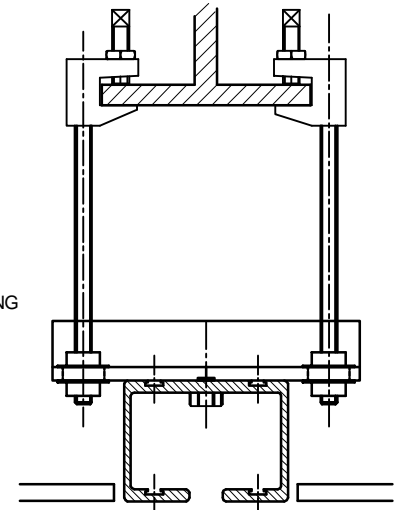
ALUMINIUM REFERENCE



1. Fixed to solid Concrete Soffit

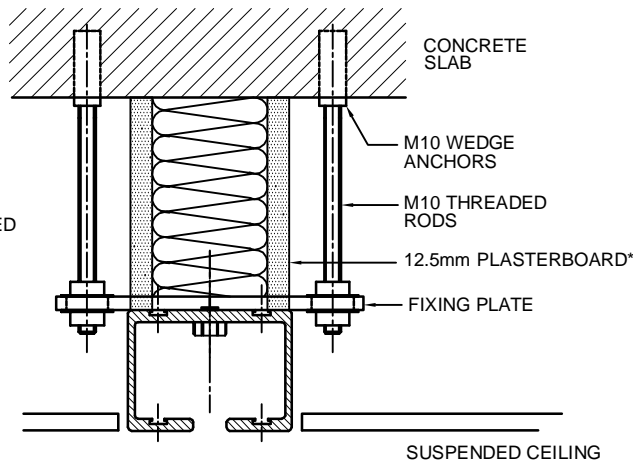


2. Fixed to structural Steel Tray

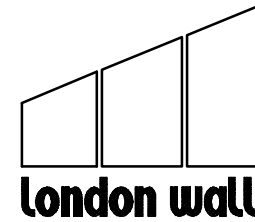


3. Fixed to Steel Beam using 'Lindapter Clamps'

\*FOR HIGH LEVELS OF SOUND REDUCTION 2 DOUBLE SKIN OF PLASTERBOARD REQUIRED



4. Ceiling Void Baffle



**London Wall Design Ltd**

63 Barwell Business Park  
Leatherhead Road

Chessington, Surrey KT9 2NY

Tel : +44 (0) 20 8391 8750

Fax : + 44 (0) 20 8391 8751

E-Mail : Sales@londonwall.co.uk

DRG. NO.: SL - 802